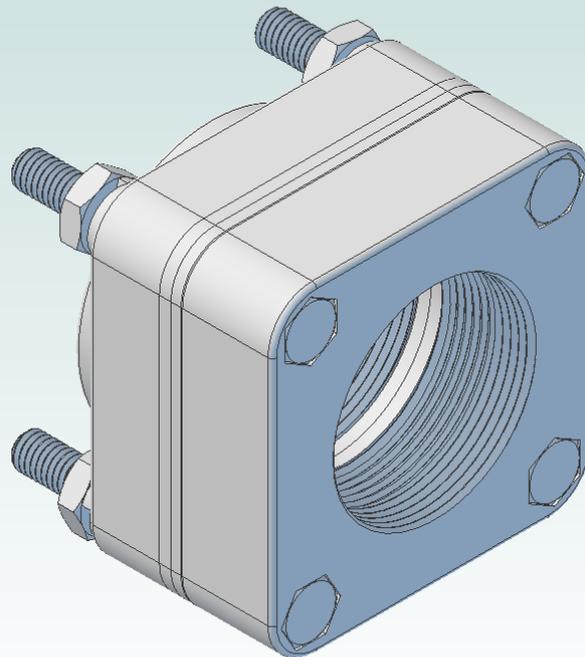


200-TFC - POLY BOLTED FULL PORT TANK FITTING



MATERIAL - PLOYPROPYLENE
EPDM OR VITON
SS HARDWARE